

# MultiPort Lubricator

## Electric motor-driven, Grease and Oil



### General

The MultiPort Lubricator is a rugged, motor-driven, electric lubricator, equipped with fixed output pumping elements to discharge grease or oil over a wide operating range. Low level switches are standard on this compact unit. Up to three independent feed lines can be used with the MultiPort Lubricator. A selection of timers and controller/monitors are available to program MultiPort Lubricators.



### Technical Data

<b>Reservoir Capacity</b>	2, 4 and 8 liter (4, 8 and 16 lb)	
<b>Lubricant</b>	Grease	NLGI grade 2 (Max)
	Oil	Up to 5000 SUS
<b>Maximum Working Pressure</b>	Grease	3600 psi (240 bar)
	Oil	2900 psi (180 bar)
<b>Operating Voltage</b>	As noted below	
<b>Operating Temperature Range</b>	0°F to 120°F (-18°C to 49°C)	
<b>Pumping Elements</b>	1 to 3	
<b>Output per 1 rpm</b>	0.16cc (0.01 cu. in.)	
<b>Motor</b>	As noted below	
<b>Low Level Switch</b>	Available on some models (normally closed)	
<b>Discharge Element Output Port</b>	1/4" NPTF	
<b>Fill Connection</b>	Grease	Male filler fitting, quick disconnect
	Oil	Fill cap
<b>Materials</b>	Plastic, Steel (220/440 VAC grease)	

### Motor

	<b>IP Enclosure Rating</b>	<b>HP Rating</b>	<b>Voltage</b>	<b>Amperage</b>
<b>Grease</b>	IP-55	0.068	12 VDC <sup>1</sup>	4 FLA
			24 VDC <sup>1</sup>	2 FLA
		0.08	110 VAC <sup>2</sup>	1.83 FLA
			220/440 VAC <sup>2</sup>	0.63 FLA
<b>Oil</b>	IP-55	0.068	24 VDC	2 FLA
			0.08	110 VAC
			220/440 VAC	0.63 FLA

<sup>1</sup> Operates at 40 rpm @ 68°F, 1000 psi back pressure

<sup>2</sup> Operates at 32 rpm (60 Hz) @ 68°F, 1000 psi back pressure

BIJUR DELIMON INTERNATIONAL

(919) 465 4448 LOCAL  
 (800) 631 0168 TOLL-FREE  
 (919) 465 0516 FAX

[WWW.BIJURDELIMON.COM](http://WWW.BIJURDELIMON.COM)

2100 Gateway Centre Blvd., Suite 109  
 Morrisville, NC 27560

**35505 • R5 05/10**

## Start Up Instructions

1. The motor must be securely and adequately grounded.
2. The power voltage must be correct. The motor rotating direction must be same as the arrow on motor end housing.
3. The grease/oil must be clean.
4. Fill the reservoir through fill cap and screen (oil).  
Fill the reservoir through the grease fill fitting (grease).

## Troubleshooting

Symptom	Possible Cause	Remedy
<b>Pump does not deliver lubricant.</b>	Reservoir is empty.	Fill up lubricant and run to charge elements.
	Electric connection of geared motor has been polarized in the wrong way.	Check pin connections.
<b>Pump does not run.</b>	Voltage is incorrect.	Check voltage.
	Voltage supply is interrupted.	Check voltage and the source.
	Lubrication point is blocked or air pocket is present.	To find out which lubrication points and/or which lubrication point group is blocked, loosen pipe connections at pump elements one after the other. When the blocked bundle has been loosened, the pump must start running again. Localize the lubrication points concerned by loosening the connection lines.  The failure may have been caused by dirt accumulation in the lubrication point, blocked up lubrication points or squeezed lines. To release air pocket, loosen pipe connections at pump elements and run pump until you have uninterrupted lubricant flow out of the elements.
<b>Pump element does not deliver lubricant.</b>	Pump element is inoperative.	By loosening the pipe connections at the pump you will find the pump element which does not deliver lubricant after the pump has been switched on. Dirt accumulation within the piston element is a possible reason for the failure.  If removal and purification of the pump element do not result in an improvement, the pump element must be replaced by a new one.

BIJUR DELIMON INTERNATIONAL

(919) 465 4448 LOCAL  
(800) 631 0168 TOLL-FREE  
(919) 465 0516 FAX

[WWW.BIJURDELIMON.COM](http://WWW.BIJURDELIMON.COM)

2100 Gateway Centre Blvd., Suite 109  
Morrisville, NC 27560

## How To Order

Name	Lubricant	Voltage	Reservoir Capacity	Low Level Switch	Part #
MultiPort	Grease	12 VDC	2 liter (4 lb)	No	30785-1NF
				Yes	31099-1NF
		24 VDC	4 liter (8 lb)	No	28571-1NF
				Yes	31037-1NF
		24 VDC	2 liter (4 lb)	No	28566-1NF
				Yes	30787-1NF
	4 liter (8 lb)	No	28572-1NF		
		Yes	31037-1NF		
	Oil	24 VDC	2 liter (4 lb)	No	28569-1NF
				Yes	41320-1NF
			4 liter (8 lb)	No	28575-1NF
		Yes		31801-1NF	
		110 VAC	2 liter (4 lb)	No	28569-1NF
				Yes	41320-1NF
4 liter (8 lb)	No		28575-1NF		
	Yes	31801-1NF			
220/440 VAC Three Phase	2 liter (4 lb)	No	28570-1NF		
		Yes	30559-1NF		
	4 liter (8 lb)	No	28576-1NF		
		Yes	30559-1NF		
8 liter (16 lb)	Yes	28730-1NF			
	Yes	28730-1NF			

When ordering, specify by name, lubricant, voltage, reservoir capacity and part number, e.g. MultiPort, grease, 110 VAC, 2 liter (4 lb) reservoir with low level switch, Part #41320-1NF.

BIJUR DELIMON INTERNATIONAL

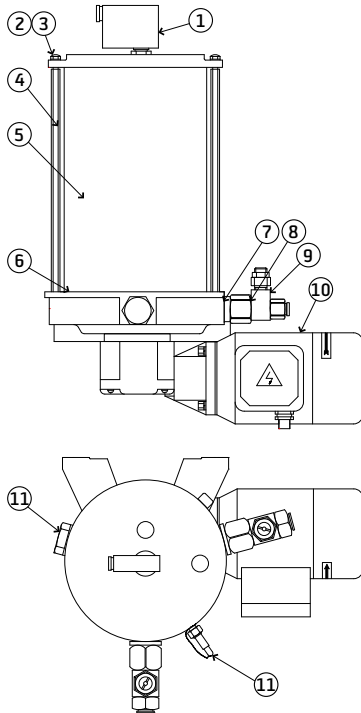
(919) 465 4448 LOCAL  
 (800) 631 0168 TOLL-FREE  
 (919) 465 0516 FAX

[WWW.BIJURDELIMON.COM](http://WWW.BIJURDELIMON.COM)

2100 Gateway Centre Blvd., Suite 109  
 Morrisville, NC 27560

## Service Parts

### Grease Models

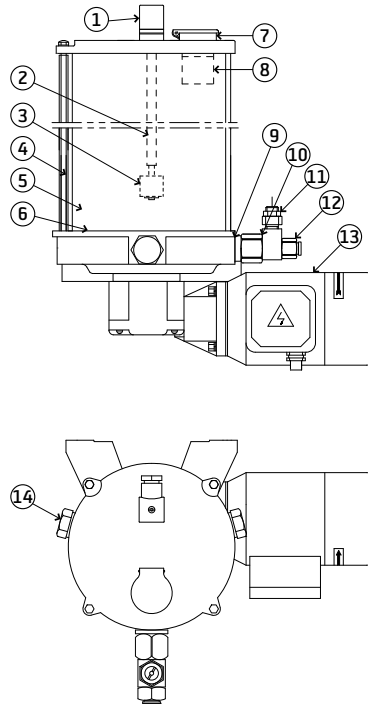


Item	Description	Part #
1	Low level switch	30544
2	Washer	22076-5
3	Nut	22188-3
3	Tie rod: 2 liter (4 lb)	43125-4
	Tie rod: 4 liter (8 lb)	43125-5
4	Reservoir: 2 liter (4 lb)*	22465-1
	Reservoir: 2 liter (4 lb)	28205-1
	Reservoir: 4 liter (8 lb)	28205-2
5	Bottom reservoir seal	45831-1
6	Copper seal	25589-7
7	Copper seal	25589-5
8	Pump element w/ relief valve	28278-3
9	12 VDC motor & worm gear	31703-2
	24 VDC motor & worm gear	31703-1
	110 VAC motor & worm gear	31711-2
	220/440 VAC motor & worm gear	31711-4
10**	Plug	22454
11	Grease fill fitting	U421BC
	Fill fitting cover	U423B

\* For reservoirs with rubber lid

\*\* Copper seal (part #25589-7) required for installation.

### Oil Models



Item	Description	Part #
1	Din connector	41091
2	Low level tube: 2 liter (4 lb)	41066-4
	Low level tube: 4 liter (8 lb)	41066-1
	Low level tube: 8 liter (16 lb)	41066-3
3	Low level switch	B9640
4	Tie rod: 2 liter (4 lb)	43125-4
	Tie rod: 4 liter (8 lb)	43125-5
5	Reservoir: 2 liter (4 lb)	41077-1
	Reservoir: 4 liter (8 lb)	41077-2
6	Bottom reservoir seal	45831-1
7	Fill cap	32114
8	Screen	32116
9	Copper seal	25589-7
10/11	Pump element w/relief	28278-3
12*	1/4" NPT outlet	22491
13	24 VDC motor & worm gear	31703-1
	110 VAC motor & worm gear	31711-2
	220/440 VAC motor & worm gear	31711-4
14	Plug	22454

\* Included with items 10/11

### ATTENTION

Oil Models:

Low level switch is supplied as N.O.

Change to N.C. by removing the pump

cover and inverting item 3 (part #B9640)

### BIJUR DELIMON INTERNATIONAL

(919) 465 4448 LOCAL  
(800) 631 0168 TOLL-FREE  
(919) 465 0516 FAX

[WWW.BIJURDELIMON.COM](http://WWW.BIJURDELIMON.COM)

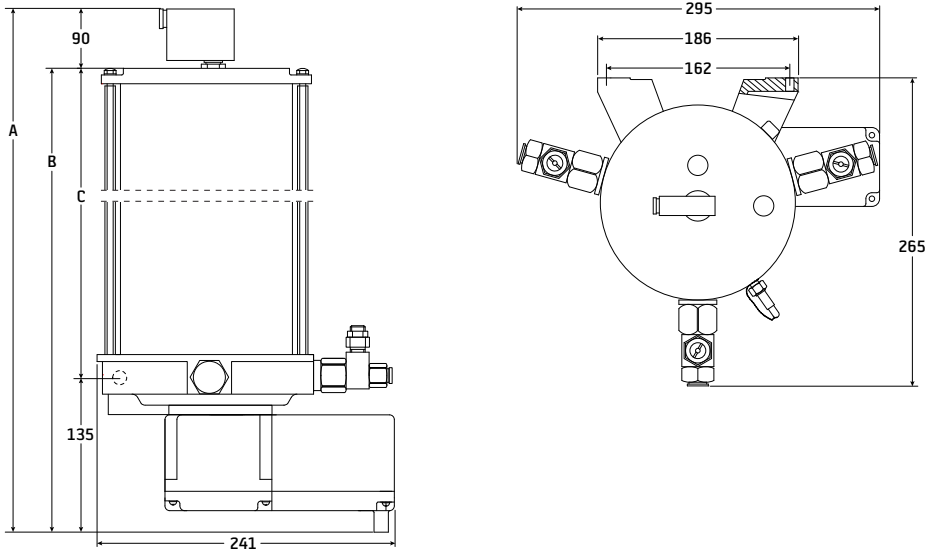
2100 Gateway Centre Blvd., Suite 109  
Morrisville, NC 27560

**35505 • R5 05/10**

## Dimensional Schematics

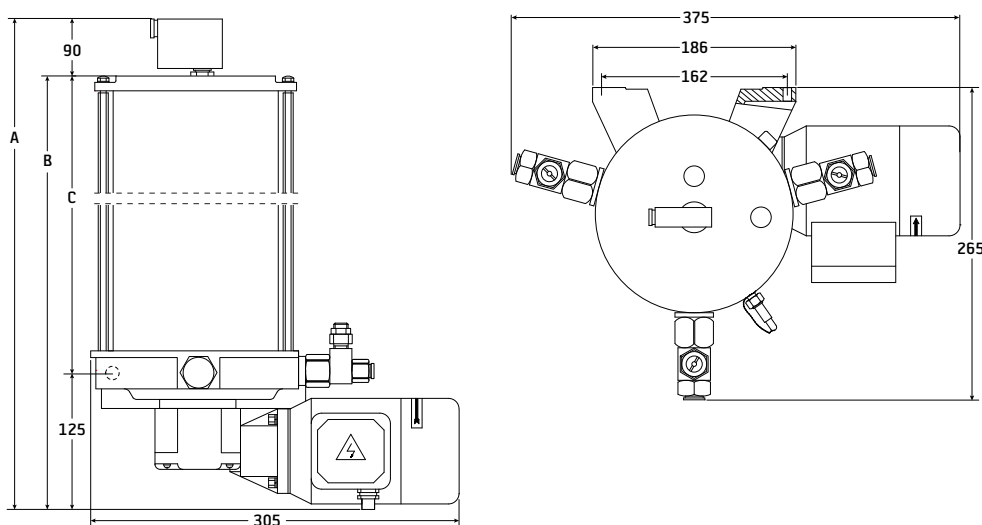
### MultiPort 12 VDC & 24 VDC

Measurements shown in millimeters.



Reservoir	A	B	C
2 liter (4 lb)	415	325	190
4 liter (8 lb)	515	425	290

### MultiPort 110 VAC, 220/440 VAC & Three Phase



Reservoir	A	B	C
2 liter (4 lb)	405	315	190
4 liter (8 lb)	505	415	290
8 liter (16 lb)	705	615	490

BIJUR DELIMON INTERNATIONAL

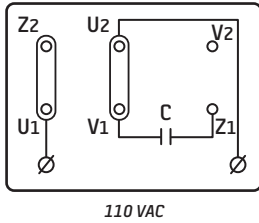
(919) 465 4448 LOCAL  
 (800) 631 0168 TOLL-FREE  
 (919) 465 0516 FAX

[WWW.BIJURDELIMON.COM](http://WWW.BIJURDELIMON.COM)

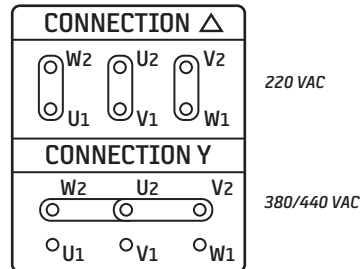
2100 Gateway Centre Blvd., Suite 109  
 Morrisville, NC 27560

## Wiring

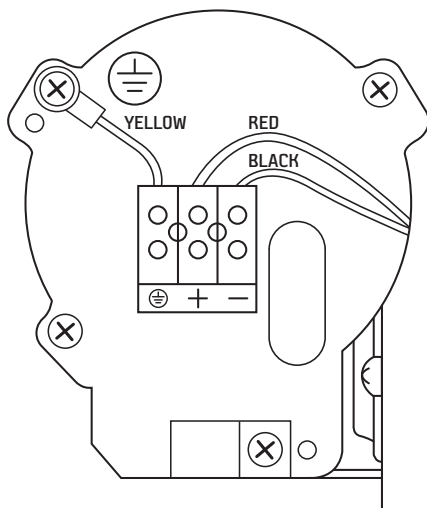
### 110 VAC



### 220 VAC & 380/440 VAC Three Phase



### 12 VDC & 24 VDC



BIJUR DELIMON INTERNATIONAL

(919) 465 4448 LOCAL  
(800) 631 0168 TOLL-FREE  
(919) 465 0516 FAX

[WWW.BIJURDELIMON.COM](http://WWW.BIJURDELIMON.COM)

2100 Gateway Centre Blvd., Suite 109  
Morrisville, NC 27560